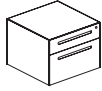

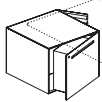
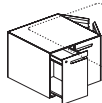
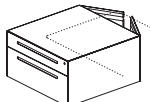
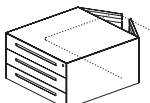
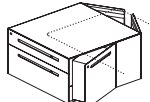
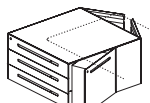
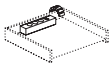

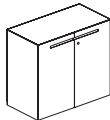
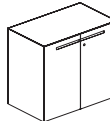
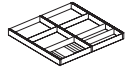
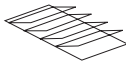
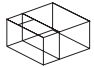



Lane



			Dim. in cm W D H	Lacquer silk matt white crema anthracite accent red Lacquer aluminium silver aluminium grey black metallic	Lacquer high gloss white crema anthracite accent red				
* shown LH									
	L 43 LH* L 43 RH	Container 1 drawer 1 drawer for printer or filing frame with central locking device in front	70 70 58 dimensions printer drawer: 60 48 30	2.194	3.062				
	L 44 LH* L 44 RH	Container 3 drawers with central locking device in front	70 70 58	2.320	3.186				
	L 45 LH* L 45 RH	Container 1 door with PC-fittings 1 door on visitor's side with locks	70 70 58 dimensions PC-fitting: 48 20 44	2.698	3.566				
	L 46 LH* L 46 RH	Container 1 extension on the side for files and utensils 1 pair of doors on visitor's side with locks	70 70 58	2.999	3.866				
	L 53 LH* L 53 RH	Container 1 drawer 1 drawer for printer or filing frame 1 pair of doors on visitor's side with locks	100 100 58	3.353	4.734				
	L 54 LH* L 54 RH	Container 3 drawers 1 pair of doors on visitor's side with locks	100 100 58	3.553	4.926				
	L 55 LH* L 55 RH	Container 1 drawer 1 drawer for printer or filing frame 1 door on the side with PC-fitting 1 pair of doors on visitor's side with locks	100 100 58 dimensions printer drawer: 60 48 30 dimensions PC-fitting: 48 20 44	4.014	5.390				
	L 56 LH* L 56 RH	Container 3 drawers 1 door on the side with PC-fitting 1 pair of doors on visitor's side with locks	100 100 58 dimensions PC-fitting: 48 20 40	4.208	5.582				
				4.476	5.852				

		Dim. in cm W D H	Lacquer silk matt white crema anthracite accent red Lacquer aluminium silver aluminium grey black metallic	Lacquer high gloss white crema anthracite accent red				
	L 86 Power supply for upper drawer Cabling flexible. Ventilation grille in container rear resp. top. 3 sockets 2 RJ45-sockets		711	711				
	L 61 Container for lounge table 1 drawer	70 70 23	1.294	1.599				
	L 65 Highboard 1 pair of doors Backside laminate anthracite. with lock	100 50 93	2.963	4.093				
	L 67 Highboard 1 pair of doors Backside lacquered. with lock	100 60 93	3.269	4.760				
	L 91 Insert with divisions for container L 43 and L 44, L 55 and L 56 Aluminium coated. To arrange freely.		199	199				
	L 96 Divider insert for Container L 43 and L 44 (max. 2 per drawer), L 55 and L 56 (max. 2 per drawer) as well as L 53 and L 54 (max. 3 per drawer) Aluminium coated.		67	67				
	L 97 Filing frame for Container L 43 and L 55		107	107				
	L 98 Filing frame for Container L 53		154	154				

Product description

Table tops and side walls

Table tops and side walls are made out of crossways veneered chipboard 26 mm thick. The grains of the thick veneer edges are running horizontally round the table top, the corner bend and along the side wall. The corner bend is glued to the table top and the side wall is fixed to the corner bend by connection fittings. Two chromed glides balance the unevenness of the floor.

The standard height of the table is 73 cm. Side walls and containers are 2 cm higher when a total height of 75 cm is required.

Power supply

Under the desk top and under the stand counter table runs a constructive aluminium conduit which offers access for free handling at any position. The cabling of the container and the sideboard takes place through the pivotable joint on which the desk top is resting. The input lead happens through a vertical wire conduit along inside of the side panel or through the bottom panel of the container resp. highboard.

Facilities for meetings

There are 3 versions for meetings available, the stand counter table connected with a highboard L 65 or L 67, the lounge table connected with container L 61 and circular tables in diam 110 and 125 cm with an anodised column and a bottom plate aluminium colour coated.

Containers

Containers consist of MDF core, they are all around lacquered and assembled with an emphasized mitred feature. The finish of the containers is lacquer high gloss or silk matt or lacquer metallic. The central panels, the bottom panels and the shelves as well as the bottom panel of the drawers are made out of anthracite coloured laminated chipboard. A moulded grip plate with a chromed back side opens the storage unit. Containers with 50 mm high legs can be adjusted in height internally. Doors and drawers with soft selfclosing.

The bottom panels of containers and highboard units are provided with a cable outlet and offer the possibility to connect the power supply through the pivotable joint with the horizontal cable channel of the desk top. The cabling from container to container is continued beneath the bottom panels without damaging of sides.

The full extensible drawers have metal frames coated in aluminium colour RAL 9006.

As an option containers can be fitted with a lock in front. The position of it is in principle the upper edge of the front lh or rh. Rh hinged doors mean the lock on the left side and the opposite way. The elements of one order work on the same key.

Drawer underneath desk top

This drawer provides two compartments DIN A4 and three utensil trays. The full extension with soft selfclosing is screwed to the user's side of the desk.

Sliding leather desk pad

The sliding leather desk pad L 75 is a sophisticated overlay which hides the compartments and the power box beneath and gives access when needed. An outlet for cables is situated top left at the sliding leather desk pad.

Power supply of drawer

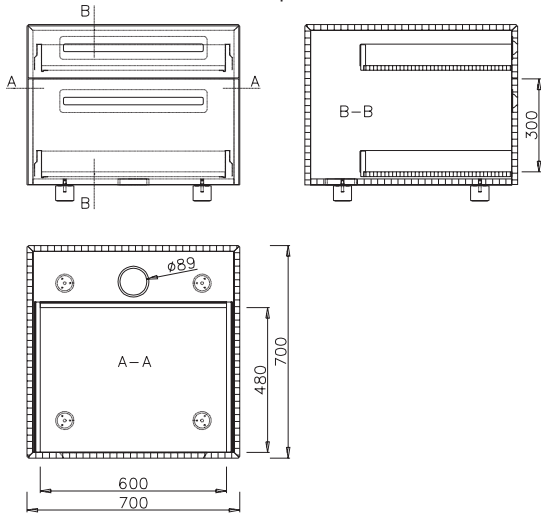
A power strip provides 3 sockets and 2 RJ45-sockets. For safety reasons the connection on site affords an authorized specialist. Additional arrangements for ventilation have to be checked.

Power box

The power box is installed in the table top. The power box L 77 allows access to the horizontal conduit. The power box L 76 has its own cage and therefore can be placed at any user-defined position independent from the conduit. Both versions include a power strip with 3 sockets and 2 RJ45-sockets.

The power strips are provided with GST 18-input/output and a connection cord of 2,90 m. Optionally, another kind of power strips can be established i.e. with VGA and audio adapter.

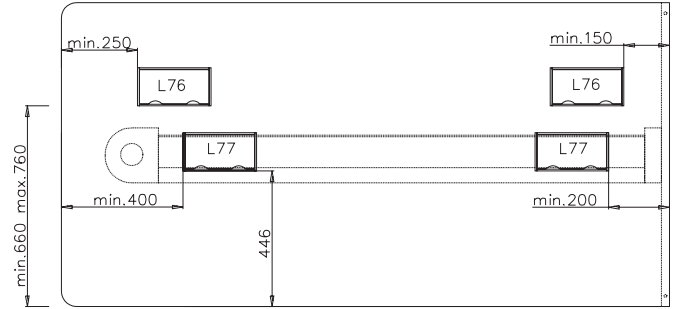
L 43 Container with drawer for printer



Position advice:

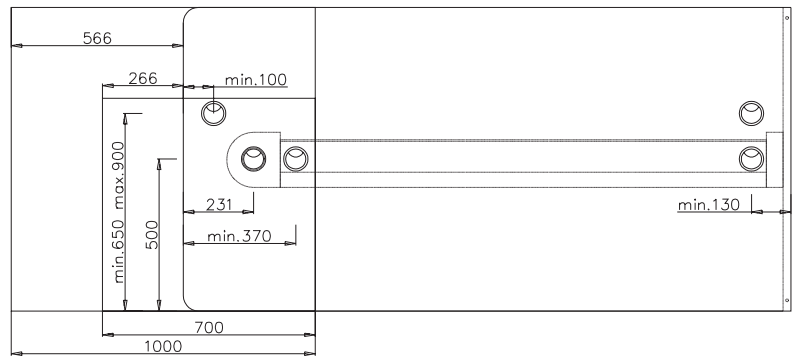
L 76 Power box

L 77 Power box

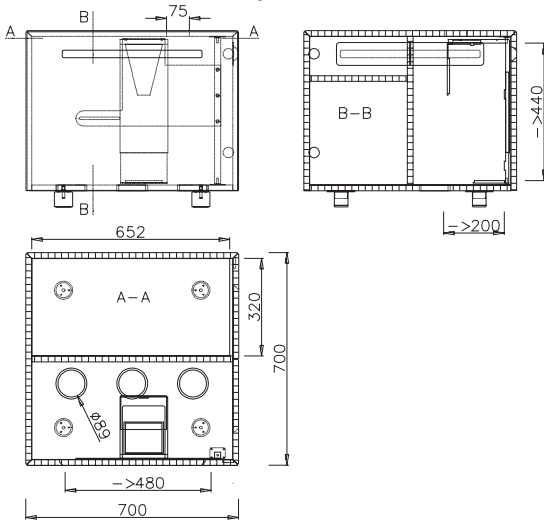


Position advice:

L 80 Cable outlet



L 45 Container with PC-fitting



L 55/L 56 Container with PC-fitting

